

MOD.	LOCATION	CHANGE	REFERENCE	DATE	SIGN.
------	----------	--------	-----------	------	-------

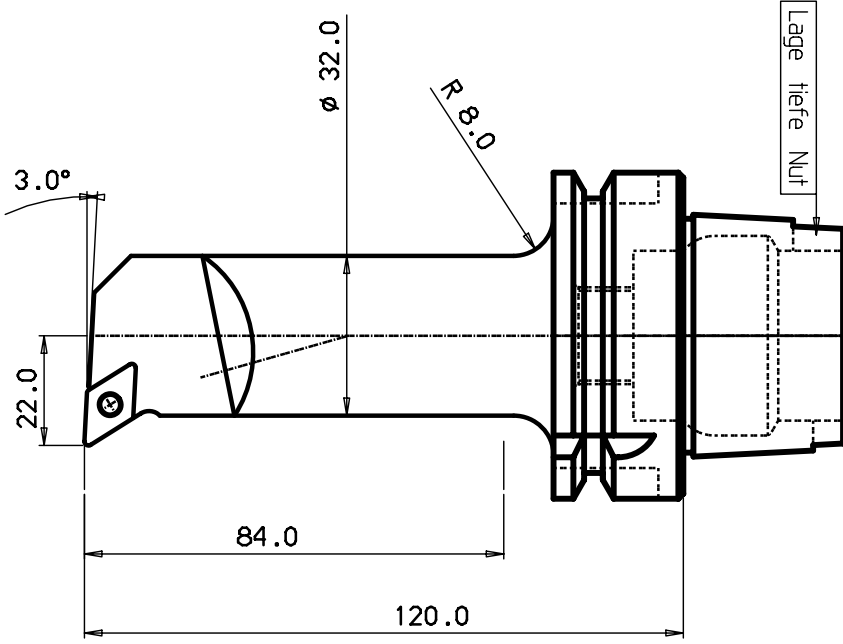
1200	- 315	+0.50	(120)	- 120	± 30'
(315)	- 1000	+0.80	(120)	-	± 20'

DESIGN OFFICE | DRAWING NUMBER

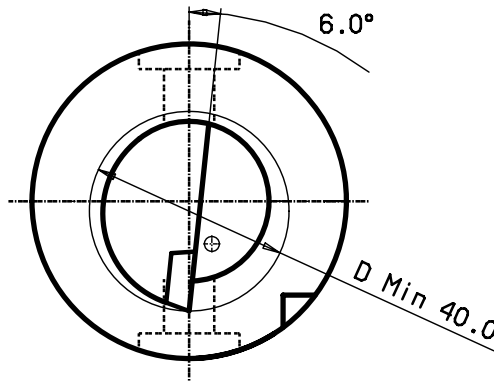
Show a label over the complete line of an item and add it to the order form or request for quotation. This change means the property of the SHANK TOWARD

100 mm  
 90  
 80  
 70  
 60  
 40  
 30  
 20  
 10  
 0

MICROFILMED



HSK 63 -A



HM-Platte DCMT 11T308

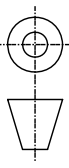
4	1			
3	1			
2	1	Schraube f. Platte		5513 020-10 M3.5
1				

ITEM	QNTY	DESCRIPTION	MATERIAL AND REMARKS	RELATED DRAWING	FORM	SIZE
CATEGORY	DESIGNED	DRAWN	CHECKED	DATE	SCALE	SUPSEDES

TITLE: *Schneidkopf*



REFERENCE	MODIFICATION	ABCDEF	GHIJKL	MNPQRST	UVWXYZ
	DESIGN OFFICE	DRAWING NUMBER			



MOD.	LOCATION	CHANGE	REFERENCE	DATE	SIGN.
------	----------	--------	-----------	------	-------

Tolerance systems acc to ISO  
 Surface roughness Ra um  
 Where tolerance not stated:  
 For threads SS-iso 965/3  
 For dimensions SS 715 Medium

Dimension	Tol	Angle (Shortest adjacent side in mm)	Tol
-6	±0.10	10	± 30'
(6) - 30	±0.20	10	± 20'
(30) - 120	±0.30	10	± 20'
(120) - 315	±0.50	10	± 20'
(315) - 1000	±0.80	10	± 20'

1	2	V	3	4	5	6	7	8
---	---	---	---	---	---	---	---	---