

5

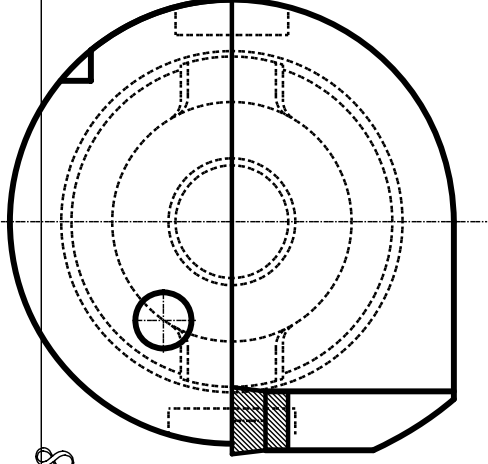
6

7

8

HM-Platte VBMT 160408

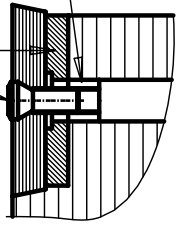
DESIGN OFFICE | DRAWING NUMBER



HSK 63 -A

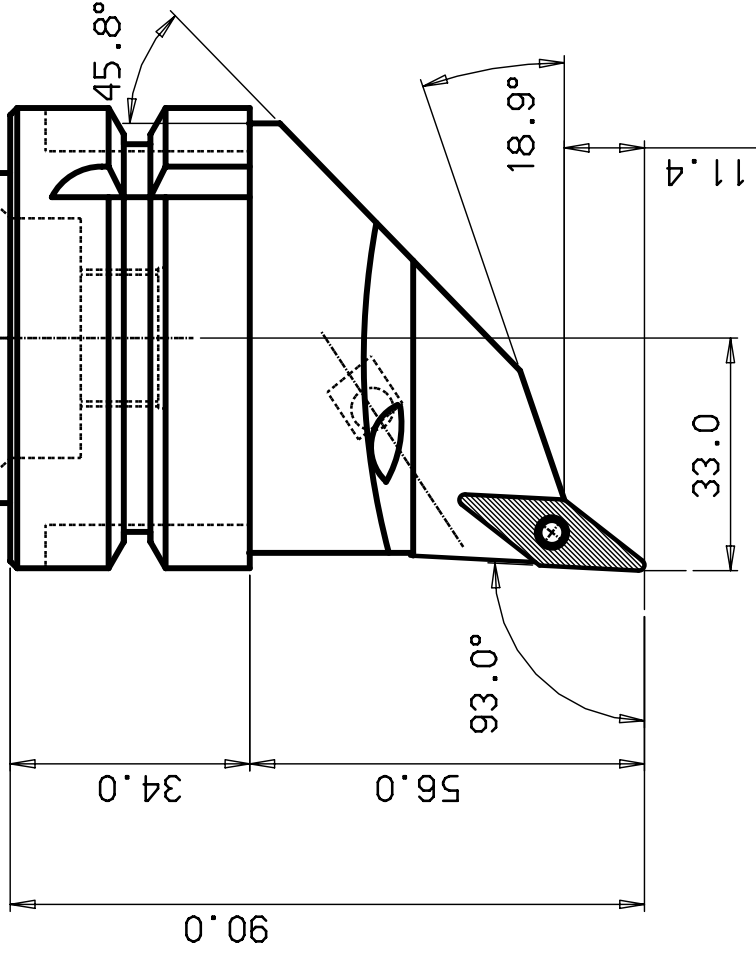
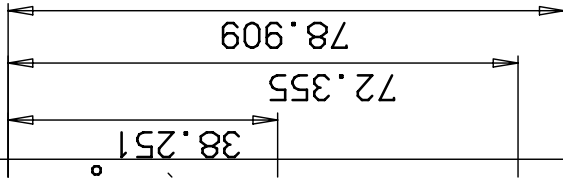
5513 020-01

5322 270-01



5512 090-01

Lage tiefe Nut



ISO

acc to

of stated:

15 Medium

Angle (Shortest adjacent side in mm)

(10) - 50

(50) - 120

(120) -

Tol

± 1'

± 30'

± 20'

± 10'

Schneidkopf



TITLE

REFERENCE

MODIFICATION | DESIGN OFFICE | DRAWING NUMBER

HSK63A-SVJBL-03390-16

ABCDEFGHIJKLMNPQRSTUWXYZ

5

6

7

8