

5

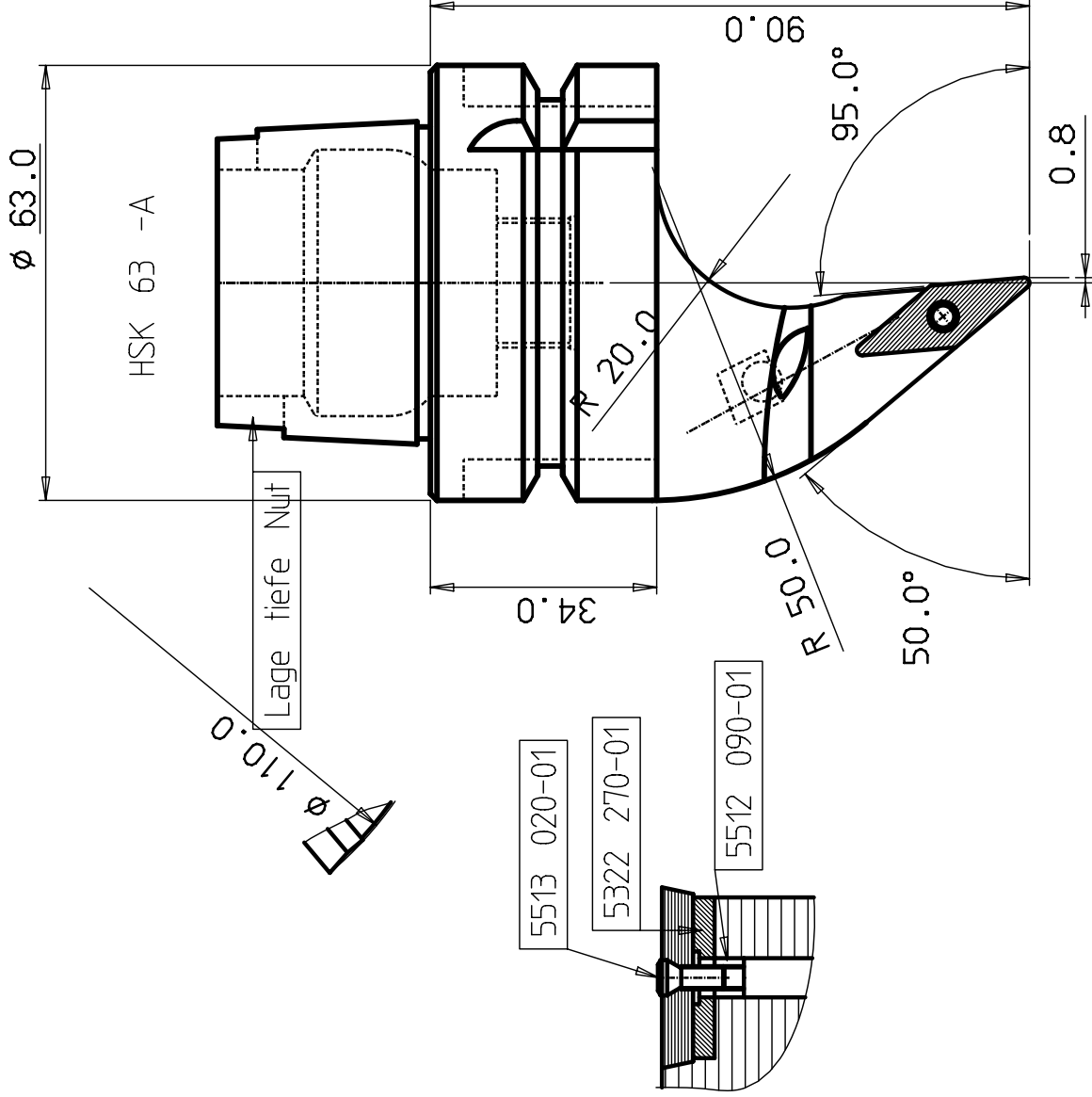
6

7

8

DESIGN OFFICE | DRAWING NUMBER

HM-Platte VBMT 160408



ITEM	Q'NTY	DESCRIPTION	DRAWN	CHECKED	DATE	MATERIAL AND REMARKS	RELATED DRAWING	L I T E R A T U R E	SIZE
ACC TO ISO									
Ra um i									
stated /3									
Medium									
Angle (Shortest adjacent side in mm)									
(0) - 50									
(50) - 120									
(120) -									
Tol									
± 1'									
± 30'									
± 20'									
± 10'									
TITLE	<p><i>Schneidkopf</i></p>								
REFERENCE	<p>MODIFICATION ABCDEFGHIJKLMNOPRSTUVWXYZ DESIGN OFFICE DRAWING NUMBER HSK63A-SVMBL-00090-16</p>								

HAVRANEK
 7512, 7513, 7514, 7515
 Tel. 0125/77880
 Fax. 0125/77881
 Internet: www.havranek.cz
 E-Mail: info@havranek.cz

5

6

7

8